

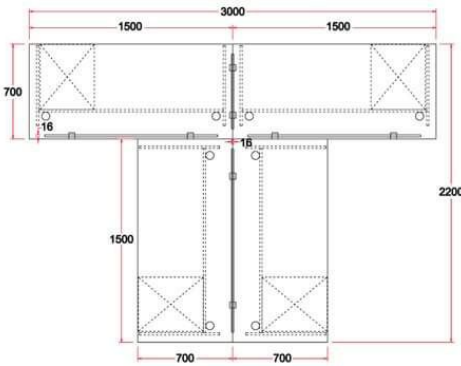
# CLASSIC series



## 16-EXR-4

**Thickness: 16mm**  
**Partition Height: 300mm**

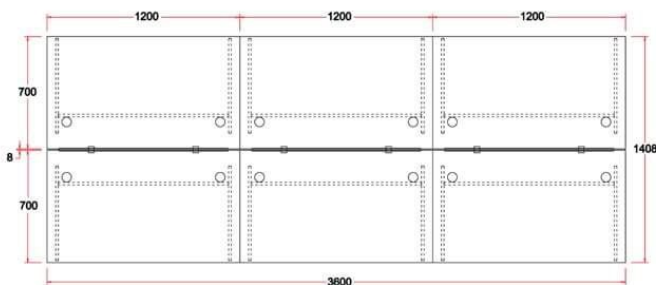
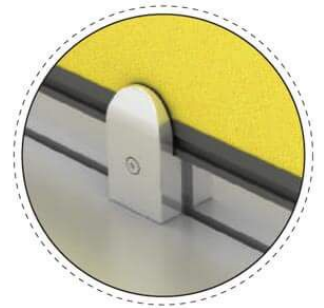
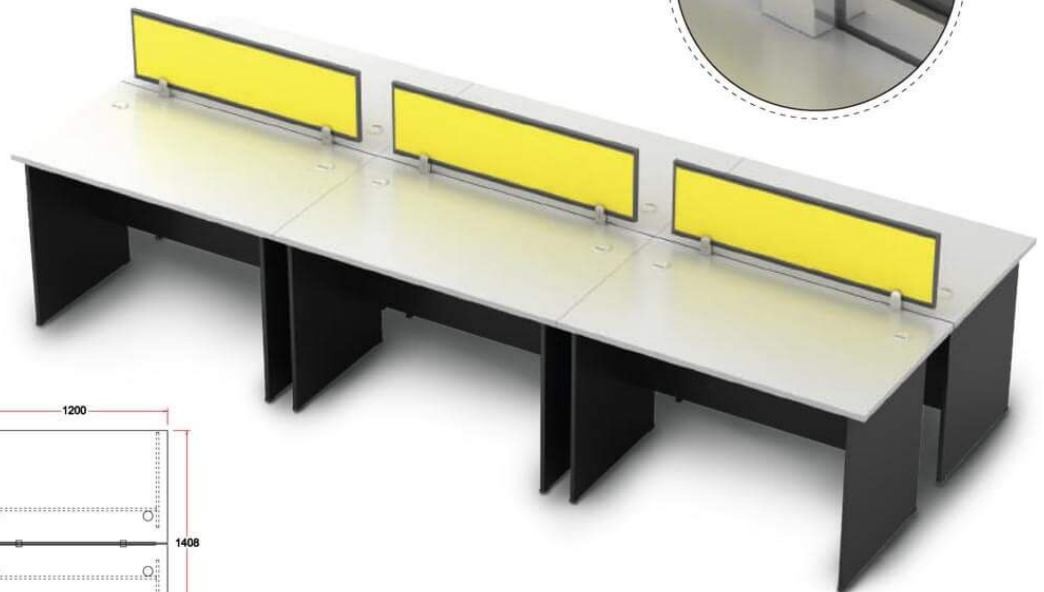
4-seaters rectangle table equipped with 16mm thickness solid fabric panels. It's an ideal option for space consideration workplace.



## 18-GR-6

**Thickness: 18mm**  
**Partition Height: 300mm**  
**Frame: Dark Grey**

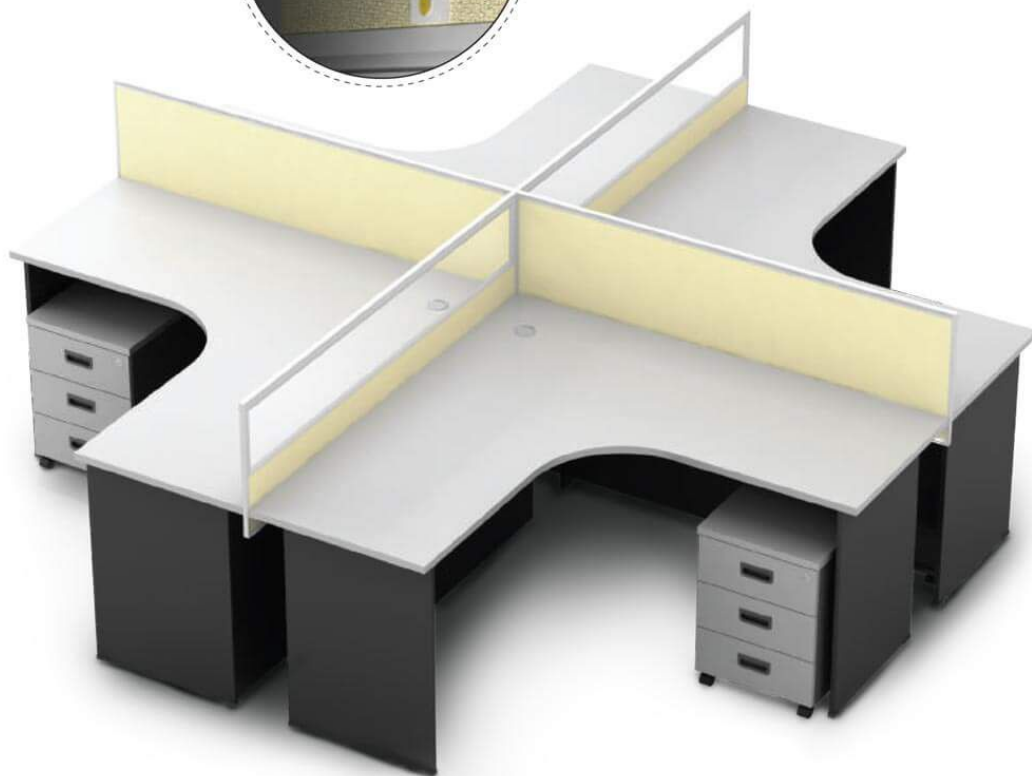
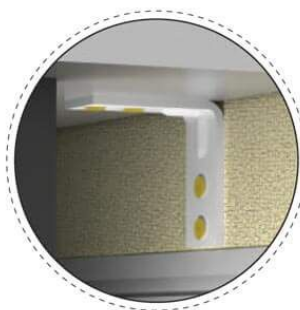
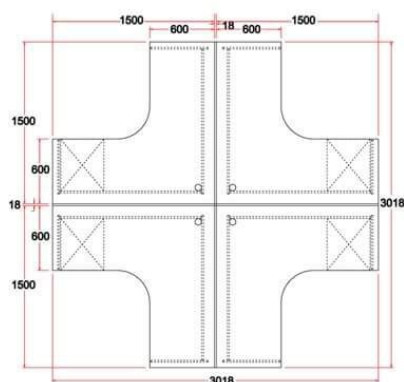
6-seaters rectangle desk equipped with 18mm thickness desking panels. A workstation that is functional, but also suit your style.



## 18-GL-4

**Thickness:** 18mm  
**Partition Height:** 450mm  
**Frame:** White

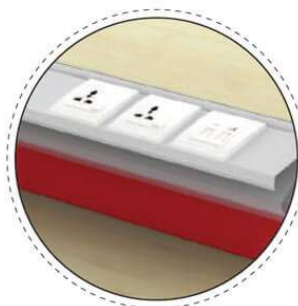
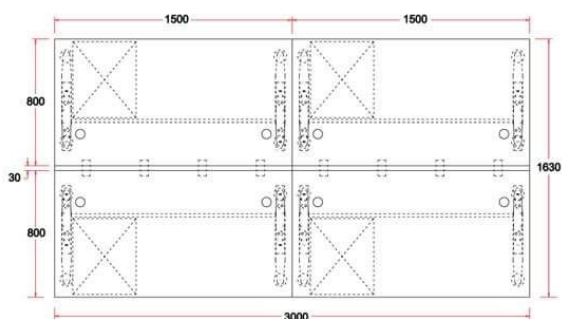
4-seaters L-shaped desk equipped with 18mm thickness combination of solid and half glass panels. The contemporary L-shaped desks to match your style and budget for your offices.



## 30-QR-4

**Thickness:** 30mm  
**Partition Height:** 350mm  
**Frame:** Light Grey

4-seaters rectangle desk equipped with 30mm thickness half glass desking partition. It is highly recommended for your staffs to communicate and collaborate within a shared place to share ideas.





### 30-HR-4

**Thickness:** 30mm  
**Partition Height:** 1200mm  
**Frame:** White

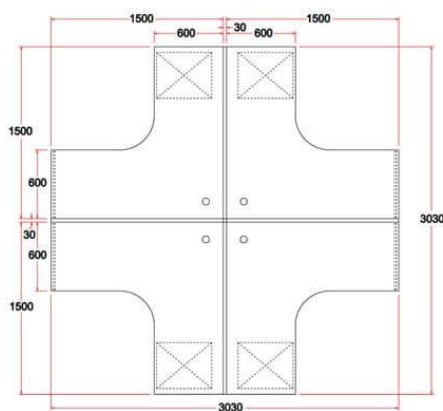
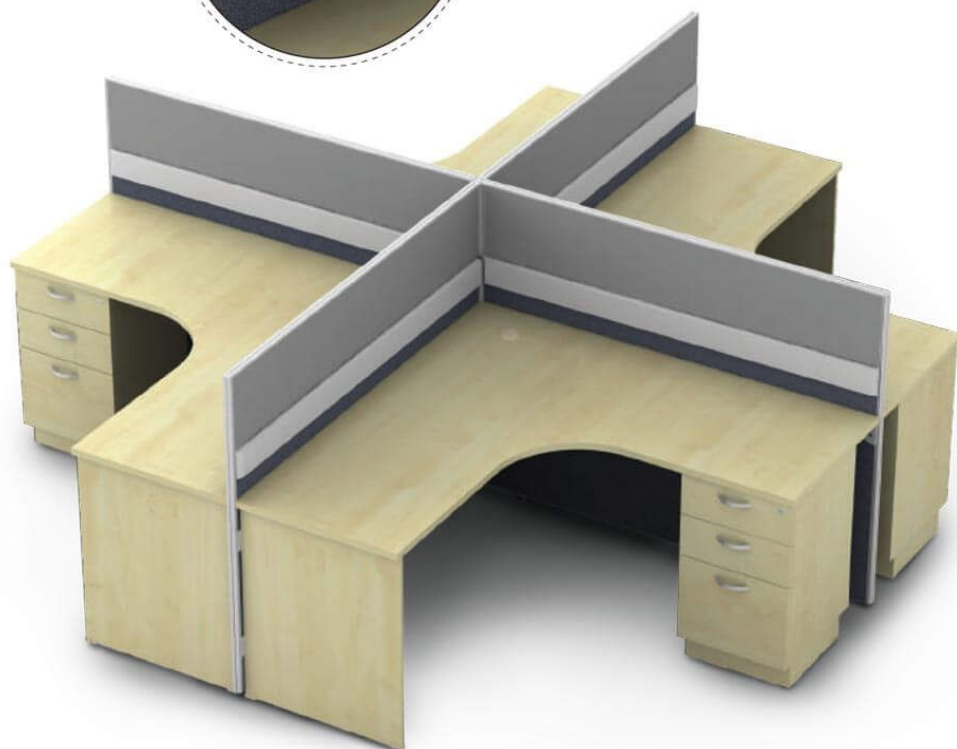
4-seaters rectangle table equipped with 30mm thickness combination of solid and half poly partition. The modern metal J-leg series could be your selection to fit any spaces without taking too much room.



### 30-PDL-4

**Thickness:** 30mm  
**Partition Height:** 1200mm  
**Frame:** Light Grey

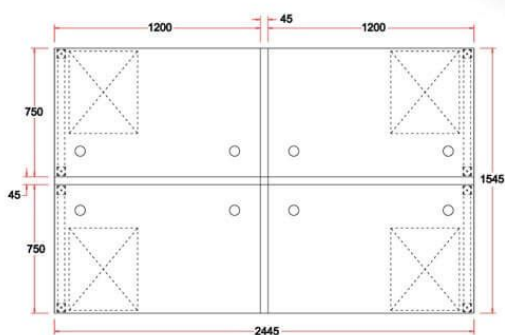
4-seaters L shaped wooden tables equipped with 30mm thickness solid panel partition. This workstation is just nice for your team's workspace.



### 45-SLR-4

**Thickness:** 45mm  
**Partition Height:** 1200mm  
**Frame:** White

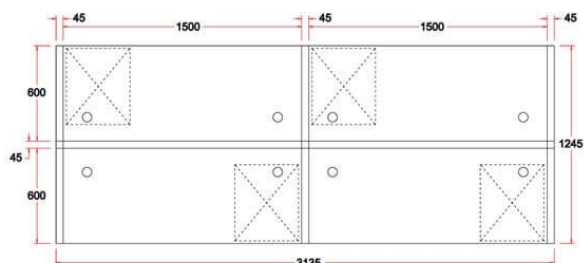
4-seaters rectangle table equipped with 45mm thickness solid panel partition. The modular configuration allows you to create high performance team space.



### 45-R-4

**Thickness:** 45mm  
**Partition Height:** 1200mm  
**Frame:** White

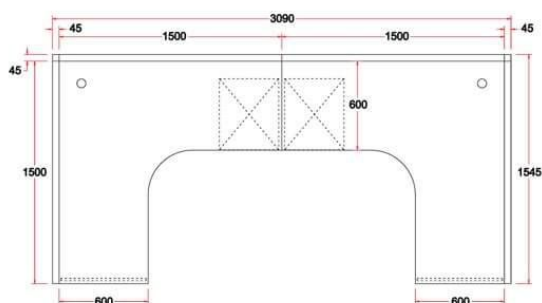
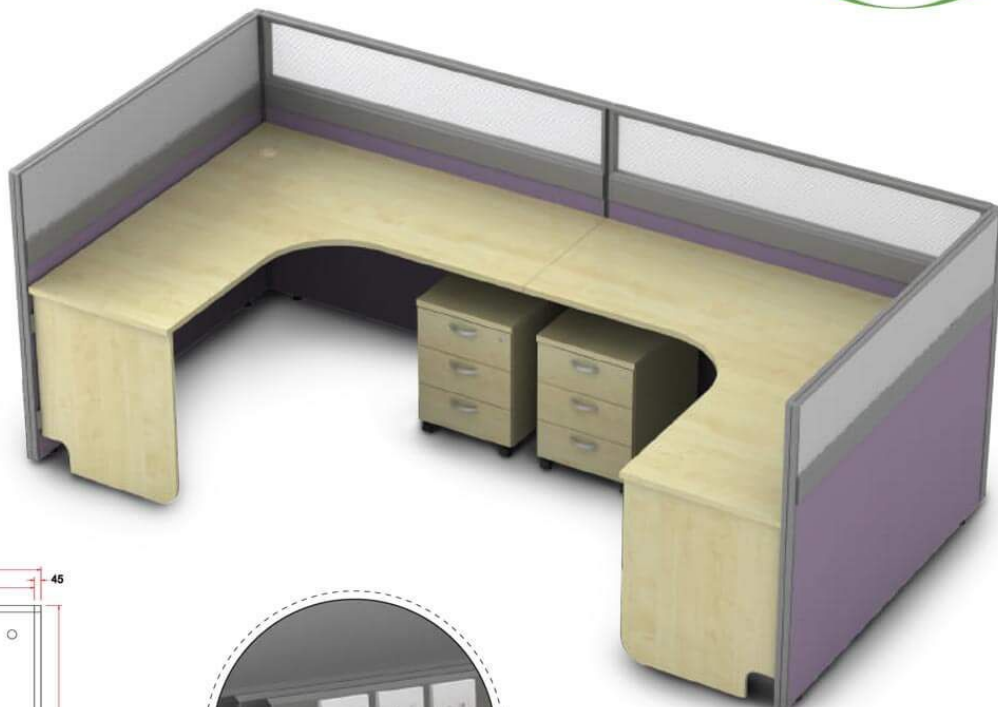
4-seaters rectangle tops equipped with 45mm thickness solid panels system. It is a design for a simple solution at your modern office where collaborative work is essential.



### 45-PL-2

**Thickness:** 45mm  
**Partition Height:** 1200mm  
**Frame:** Silver

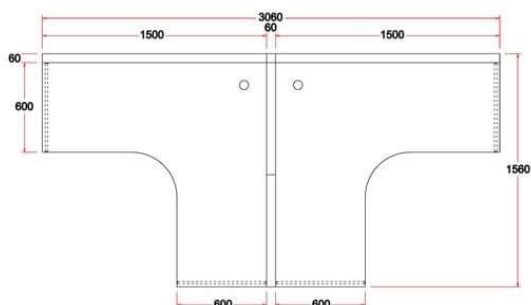
2-seaters L-shaped desk equipped with 45mm thickness combination of solid and half poly partitions. This workstation enables two individuals of a team to get connected efficiently.



### 60-PL-2

**Thickness:** 60mm  
**Partition Height:** 1200mm  
**Frame:** Dark Grey

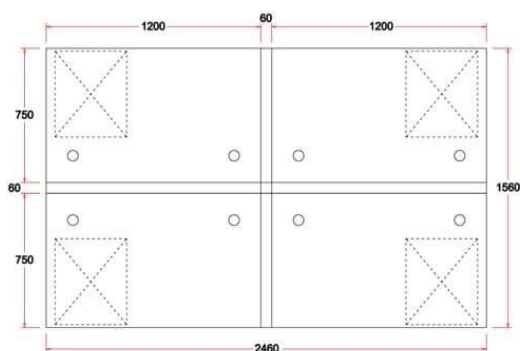
2-seaters L shaped desk equipped with 60mm thickness solid panels partition. It promotes both openness and smart space to create effective way of working.



## 60-DR-4

**Thickness:** 60mm  
**Partition Height:** 1200mm  
**Frame:** Dark Grey

4-seaters rectangle desk equipped with 60mm thickness combination of whiteboard and solid partitions. When you are working with focusing to meet deadlines day-to-day, stay reminded by writeable panels from whiteboard series.



## 60-CBL-4

**Thickness:** 60mm  
**Partition Height:** 1200mm  
**Frame:** Dark Grey

4-seaters L-shaped tops equipped with 60mm thickness combination of solid panel and poly partitions. This set of inspired workstation could completely furnish your office without worries.

